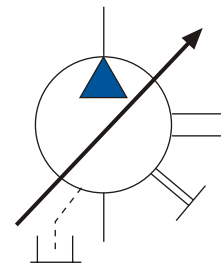
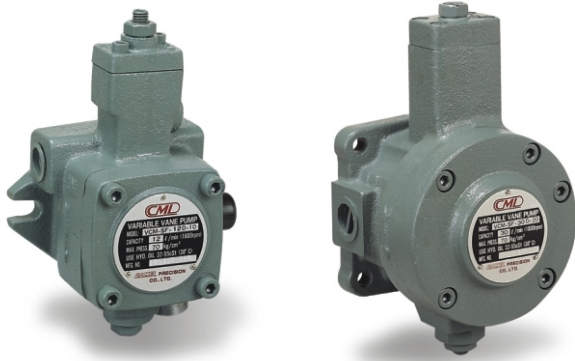


# Variable Displacement Vane Pump

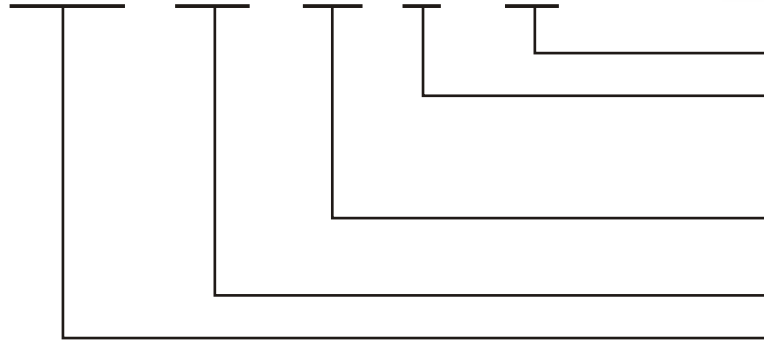


SYMBOL



## Model Code

VCM - SF - 20 - B - 10



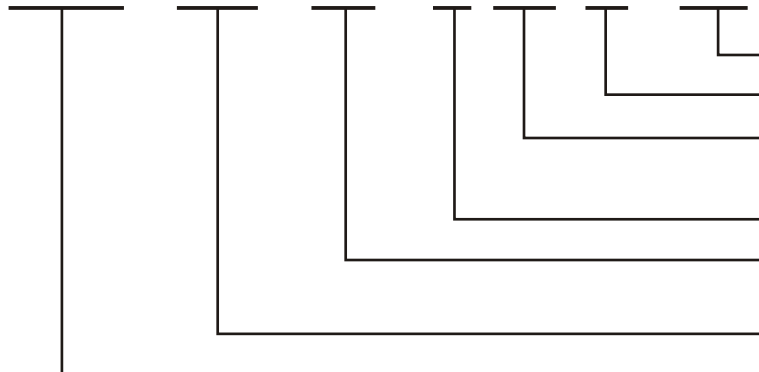
Design No.	
Pressure range	
A:20kgf/cm <sup>2</sup>	C:55 kgf/cm <sup>2</sup>
B:35kgf/cm <sup>2</sup>	D:70 kgf/cm <sup>2</sup>
Displacement at 1800 rpm	
12L,20L,30L,40L	12L, 20L, 30L, 40L
Series No.	
Vane Pump Series	

## FEATURE:

1. High efficiency operation with minimum power loss.
2. Very low noise when operating.
3. Compactness and simple design, space saving and easy operation.
4. Sturdy structure for high efficiency and long service life.

## Double Pump Ordering Code

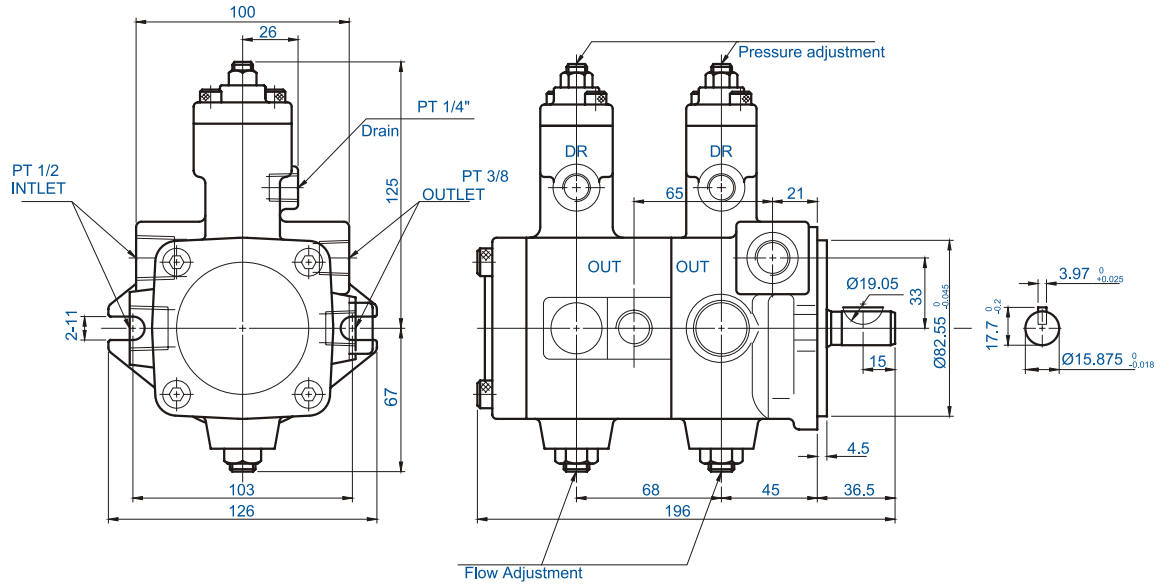
VCM - DF - 30 - B/30- B - 10



Design No.	
Secondary Pump Pressure	
Secondary Pump Displacement	
12L,20L,30L,40L	12L,20L,30L,40L
Shaft end Pump Pressure	
Shaft end Pump Displacement	
12L,20L,30L,40L	12L,20L,30L,40L
Series No.	
Vane Pump Series	

# Variable Displacement Vane Pump

- DF-12※-12※-10
- DF-20※-20※-10



- DF-30※-30※-10
- DF-40※-40※-10

