

## Working conditions

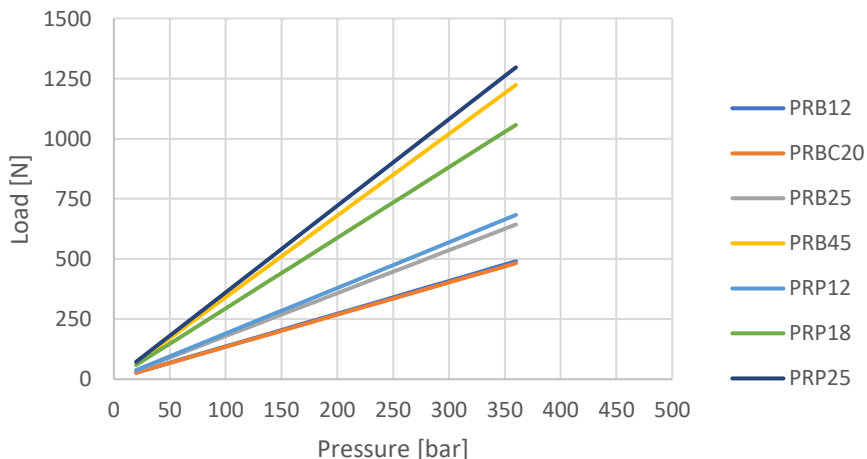
Pump type	PRB(D)12	PRB(D)25	PRB(D)45	PRP12	PRP18	PRP25	PRBC20
Type	Double acting			Single acting			
Displacement	12 cm <sup>3</sup>	25 cm <sup>3</sup>	45 cm <sup>3</sup>	12 cm <sup>3</sup>	18 cm <sup>3</sup>	25 cm <sup>3</sup>	20 cm <sup>3</sup>
	0.7 in <sup>3</sup>	1.5 in <sup>3</sup>	2.7 in <sup>3</sup>	0.7 in <sup>3</sup>	1.1 in <sup>3</sup>	1.5 in <sup>3</sup>	1.2 in <sup>3</sup>
Max. pressure	380 bar	350 bar	280 bar	300 bar	200 bar	160 bar	350 bar
	5500 psi	5100 psi	4100 psi	4400 psi	2900 psi	2300 psi	5100 psi
Optimal pressure	220 bar	120 bar	80 bar	160 bar	120 bar	80 bar	225 bar
	3200 psi	1700 psi	1200 psi	2300 psi	1700 psi	1200 psi	3300 psi
Fluid	Mineral based oil (DIN51524)						
Fluid temperature (NBR seals)	from -25 °C to 70 °C			from -13 °F to 158 °F			
Viscosity (min.)	10 mm <sup>2</sup> /s			10 cSt			
Viscosity (max.)	500 mm <sup>2</sup> /s			500 cSt			
Max. level of contamination	20/18/15 - ISO 4406			NAS 1683 - class 10			
Ambient temperature	from -20 °C to 60 °C			from -4 °F to 140 °F			

Note - for different working conditions contact sales dept.

### Reference standard

	BSP	UN-UNF	Metric	NPTF
Thread	ISO 228/1	ISO 263	ISO 262	Ansi B1.20.3
according to	BS 2779	ANSI B1.1 unified		
Cavity dimension	ISO 1179	11926	9974-1	
according to	SAE	J1926	J2244	J476a
	DIN 3852-2 (Shape X or Y)		3852-1 (Shape X or Y)	

Load effort for 600 mm lever

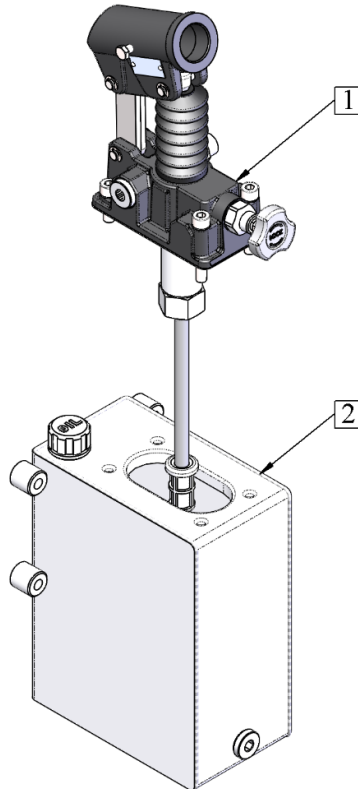


**Full order code (pump and tank)**

**PRB12 + RP3**

1

2



**1. Pump (page 5)**

**2. Prismatic tanks (page 8)**

RP1 1L tank

RP2 2L tank

RP3 3L tank

RP5 5L tank

RP7 7L tank

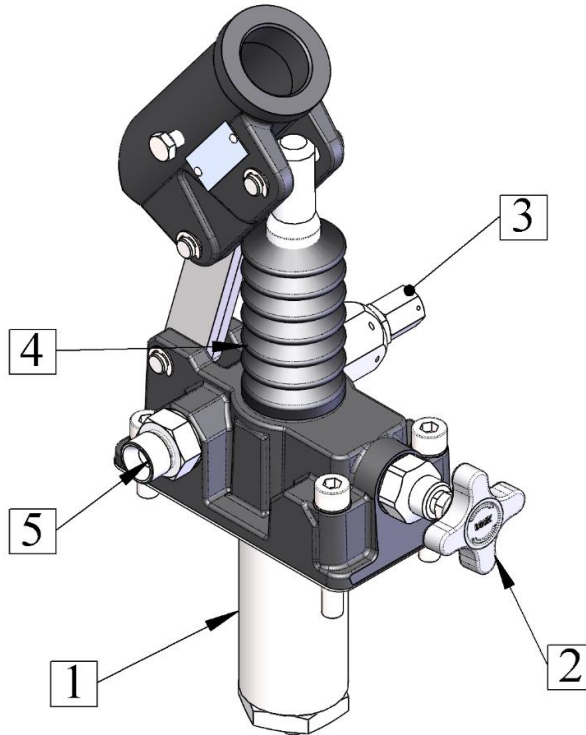
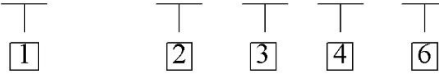
RP10 10L tank

**3. Pump location with respect to the tank**

(180) Pump rotated 180 deg

Order code

**PRB12 / A - R - M - BP**



**1. Pump type**

PRB12/25/45	Double acting pump for single acting cylinders
PRBD12/25/45	Double acting pump for double acting cylinders

**2. Release valve**

	3S handle of the release valve
A	4S handle of the release valve
E	without release valve

**3. Relief valve (PRB/PRBD)**

	without relief valve
R	with relief valve (right side by default)
RL	with relief valve left side

**4. Other**

M	Dust-proof flexible bellow
---	----------------------------

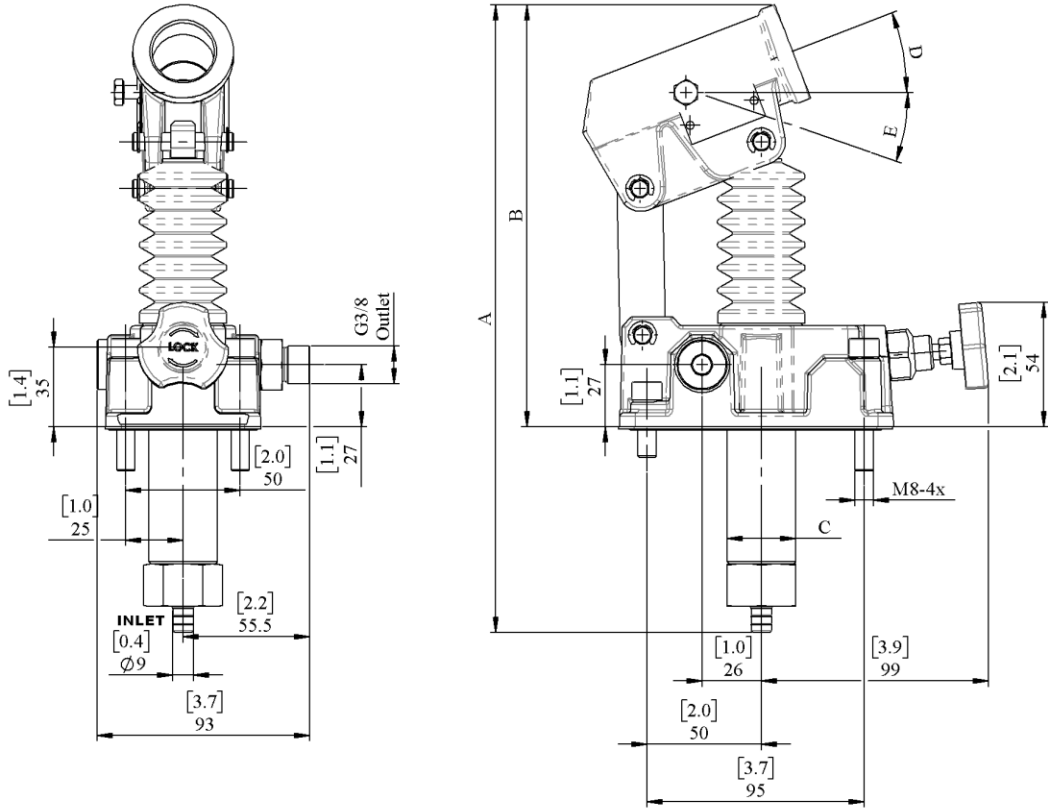
**5. Stud connectors and reducers**

	Outlet stud G3/8 (60 deg cone)
12L	Outlet stud 12L (M18x1,5)
ad3/8NPTF	Outlet reducer 3/8NPTF
G1/4B	G1/4 Banjo
xA	no connector on pos. 2 (PRBD)
xB	no connector on pos. 1 (PRBD)
12S	Outlet stud 12S (M20x1,5)

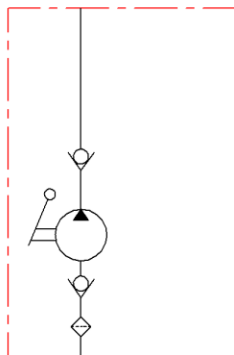
**6. Additional options**

WoL	without 600 mm lever
WoF	without suction filter
BP	Black paint RAL9005

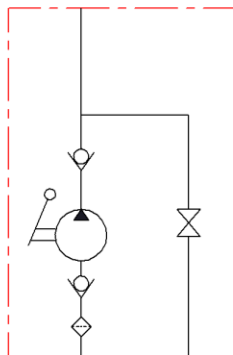
**Dimensional data**



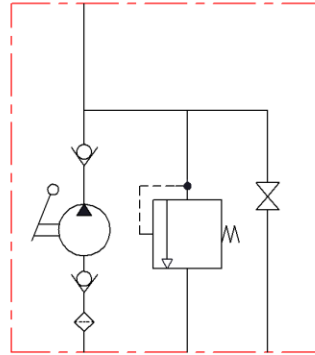
Hydraulic schemes



Without release and relief valve



Without relief valve



With relief valve

Type	A		B		C		D		E		mass	
	mm	in*	mm	in*	mm	in*	mm	in*	mm	in*	kg	lbs*
PRB12	274	10.8	184	7.2	30.0	1.2	21	20	4.0	8.8		
PRB25	286	11.3	195	7.7	35.0	1.2	34	21	4.2	9.3		
PRB45	307	12.1	200	7.9	40	1.6	53.0	25	4.5	9.9		