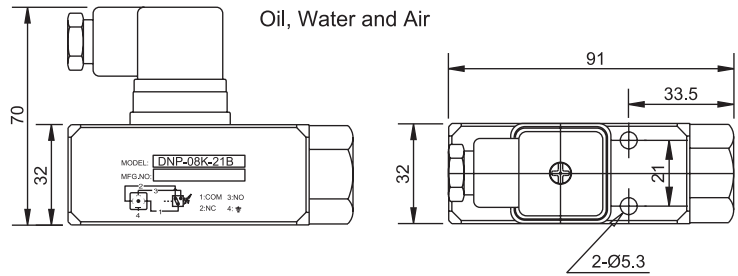


DNP Series Low Pressure Diaphragm Pressure Switch



■ DIMENSIONS:

UNIT: mm



Features:

1. Low pressure type diaphragm pressure switch.
2. Special designed for oil, water and air in low pressure application.
3. General type, pressure adjusting by hex key wrench.
4. Service life time upto ? times.
5. Pipe connection port, 3 types of threading for choosen.
6. Weight: 0.2 kg.

■ HOW TO ORDER

DNP - 08K - 21B

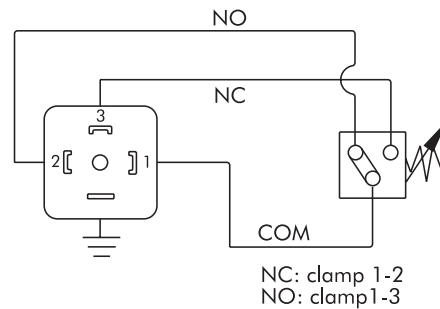
Design no.:
 21B: 1/4" PT
 21B80: 1/4" PF(G)
 21B90: 1/4" NPT

Pressure adjusting range:

Model No.	Adj Range Bar	Surge pressure
02K	0.3~2	80
08K	0.6~8	80
20K	1.5~20	80

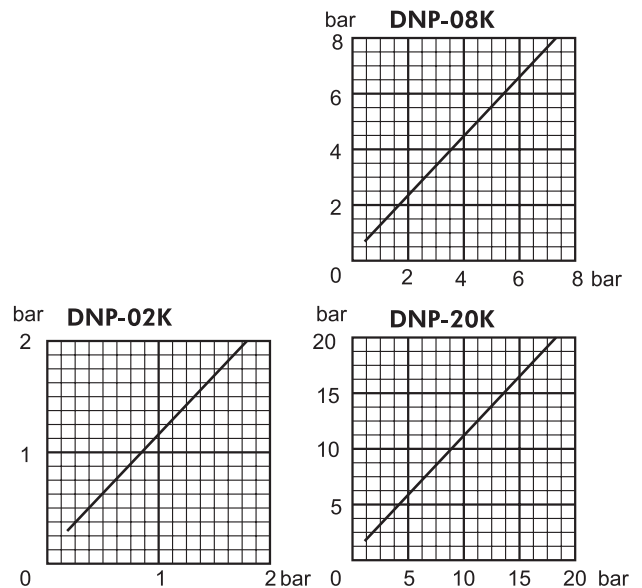
Series no.
 NP: Low Pressure Diaphragm Switch

■ WIRING DIAGRAM:

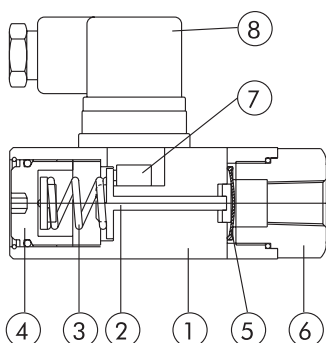


Breaking capacity	AC	DC
Voltage up to	125,250,480	125 250
Resistance load	15	0.5 0.25

■ PERFORMANCE CURVES:



■ SCHEMATIC CROSS-SECTION



1	Body(Aluminum Alloy)	5	Diaphragm
2	Servo-Piston	6	Connection Port
3	Spring	7	Micro-Switch
4	Pressure Adj. knob	8	Wiring connector