



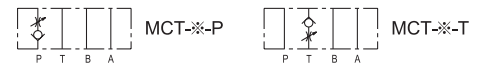
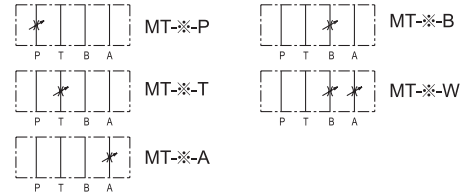
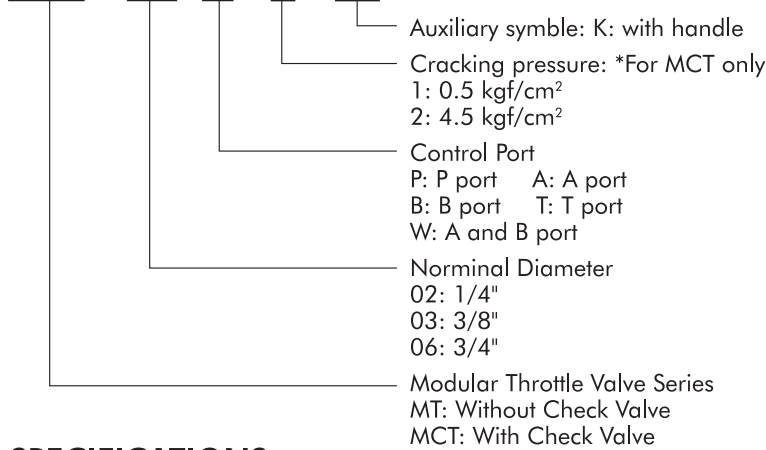
Modular Throttle Valve

Features:

1. MT series throttle valve is not included check function, could be restrict flow for both direction. MCT series is included check function and could be use as one way throttle valves.
2. Many different control ports could be applied in different circuit.
3. Maximum working pressure 250 kgf/cm².

HOW TO ORDER

MCT - 02 - P - 1 - (K)



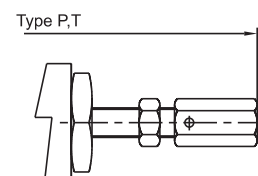
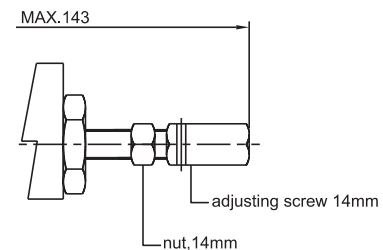
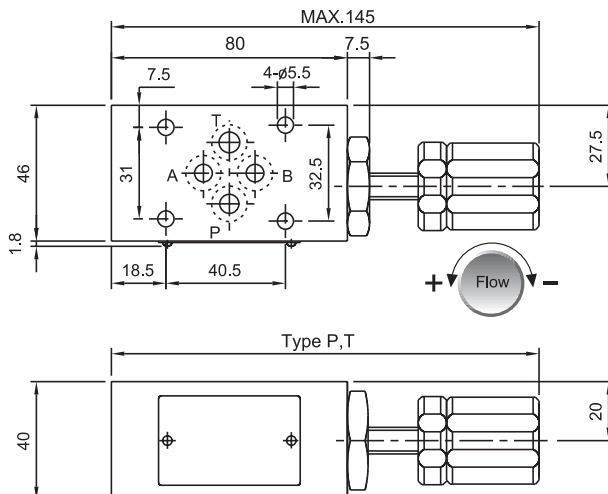
SPECIFICATIONS

Model No.	Maximum Working pressure kgf/cm ²	Maximum flow l/min	Cracking pressure kgf/cm ²	Weight kgs	Gasket surface Dimensions
MT-02-P -A -B -T -W	250	50	NONE	1.3	ISO 4401-03-02-0-94
				1.4	
				1.4	
				1.3	
				1.5	
MT-03-P -A -B -T -W	250	100	NONE	2.6	ISO 4401-05-04-0-94
				2.9	
				2.9	
				2.6	
				3.1	
MCT-02-P -T	250	50	1: 0.5 2: 4.5	1.3	ISO 4401-03-02-0-94
MCT-03-P -T	250	100	1: 0.5 2: 4.5	2.7	ISO 4401-05-04-0-94
MCT-06-P -T	250	180	1: 0.5 2: 4.5	13.5	ISO 4401-08-07-0-94

INSTALLATION DIMENSIONS:

UNIT: mm

MT-02-P-T



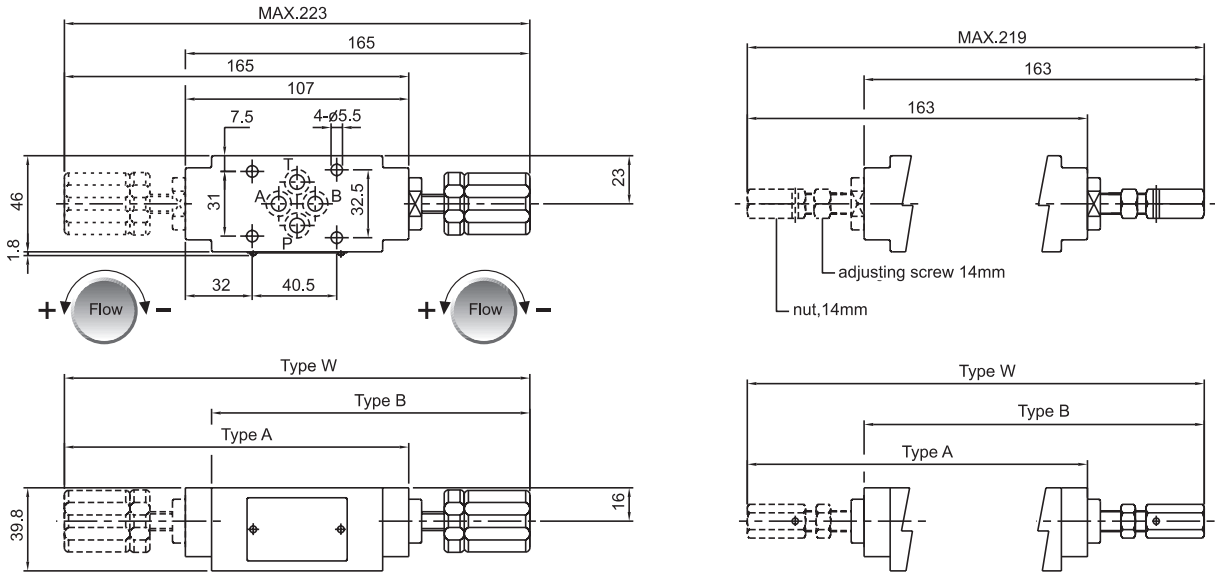


Modular Throttle Valve

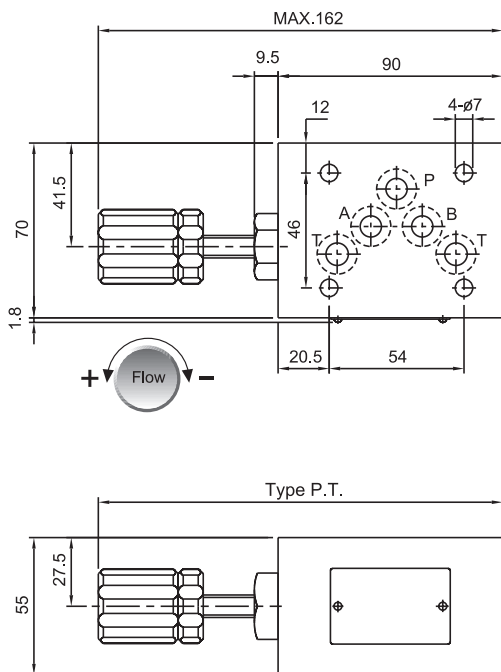
■ INSTALLATION DIMENSIONS:

UNIT: mm

MT-02-W. A. B



MT-03-P. T



MT-03-W. A. B

