

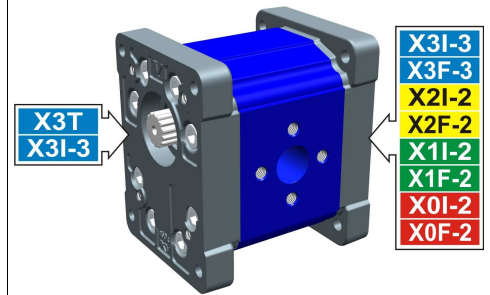
intermediate pump - series XV

X3I-3

STANDARD INTERMEDIATE PUMP
ø50.8 FLANGE - TAPER SHAFT

X 3 I 78 02 D B B A

Series	X	series XV
Group	3	group 3
Category	I	intermediate pump
Displacement	78	38
Flange	02	Ø50.8 female right rotation
Shaft	D	SCI01 - Splined ø24.5 - z=14 H=18 m=1.6 - DIN5482 25x22
Body	IN	inlet - Ø51 Ø27 M10
	OUT	outlet - Ø51 Ø27 M10
Cover	A	ø50,8 female cover for left multiple pump element



XI301

Technical data table

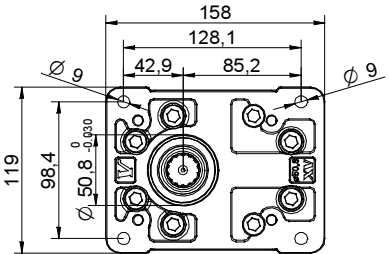
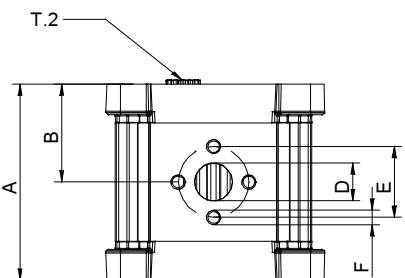
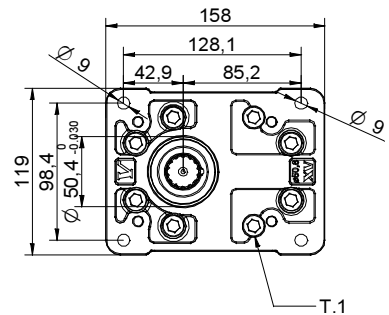
TYPE	Displacement cm3/rev	Max. Pressure		CODE																	
		P1 bar	P3 bar	Left rotation			Right rotation														
X3I-3/15	14,89	300	320	X	3	I	66	01	D	A	A	A	X	3	I	66	02	D	A	A	A
X3I-3/18	17,37	300	320	X	3	I	68	01	D	A	A	A	X	3	I	68	02	D	A	A	A
X3I-3/21	21,10	280	300	X	3	I	70	01	D	A	A	A	X	3	I	70	02	D	A	A	A
X3I-3/27	26,97	250	270	X	3	I	72	01	D	A	A	A	X	3	I	72	02	D	A	A	A
X3I-3/32	32,27	250	270	X	3	I	74	01	D	B	B	A	X	3	I	74	02	D	B	B	A
X3I-3/38	38,47	250	270	X	3	I	78	01	D	B	B	A	X	3	I	78	02	D	B	B	A
X3I-3/43	43,44	250	270	X	3	I	79	01	D	B	B	A	X	3	I	79	02	D	B	B	A
X3I-3/47	47,16	230	250	X	3	I	80	01	D	B	B	A	X	3	I	80	02	D	B	B	A
X3I-3/51	50,88	230	250	X	3	I	81	01	D	B	B	A	X	3	I	81	02	D	B	B	A
X3I-3/54	54,60	230	250	X	3	I	82	01	D	B	B	A	X	3	I	82	02	D	B	B	A
X3I-3/61	60,81	230	250	X	3	I	83	01	D	C	C	A	X	3	I	83	02	D	C	C	A
X3I-3/64	64,53	210	230	X	3	I	85	01	D	C	C	A	X	3	I	85	02	D	C	C	A
X3I-3/70	70,74	200	220	X	3	I	86	01	D	C	C	A	X	3	I	86	02	D	C	C	A
X3I-3/74	74,46	180	200	X	3	I	87	01	D	C	C	A	X	3	I	87	02	D	C	C	A
X3I-3/90	86,87	150	170	X	3	I	89	01	D	C	C	A	X	3	I	89	02	D	C	C	A

P1) Max. working pressure - P3) Max. peak pressure

For heavy-duty applications, it is recommended to check the admissible torque of the shaft

Dimensions table

TYPE	Weight kg	A	B	D	E	F	D	E	F
		mm	mm	IN			OUT		
X3I-3/15	7,010	122,0	61,0	ø20	40	M8	ø20	40	M8
X3I-3/18	7,070	124,0	62,0	ø20	40	M8	ø20	40	M8
X3I-3/21	7,150	127,0	63,5	ø20	40	M8	ø20	40	M8
X3I-3/27	7,250	131,0	65,5	ø20	40	M8	ø20	40	M8
X3I-3/32	7,390	136,0	68,0	ø27	51	M10	ø27	51	M10
X3I-3/38	7,520	141,0	70,5	ø27	51	M10	ø27	51	M10
X3I-3/43	7,630	145,0	72,5	ø27	51	M10	ø27	51	M10
X3I-3/47	7,710	148,0	74,0	ø27	51	M10	ø27	51	M10
X3I-3/51	7,790	151,0	75,5	ø27	51	M10	ø27	51	M10
X3I-3/54	7,870	154,0	77,0	ø27	51	M10	ø27	51	M10
X3I-3/61	8,010	159,0	79,5	ø36	62	M10	ø36	62	M10
X3I-3/64	8,090	162,0	81,0	ø36	62	M10	ø36	62	M10
X3I-3/70	8,220	167,0	83,5	ø36	62	M10	ø36	62	M10
X3I-3/74	8,300	170,0	85,0	ø36	62	M10	ø36	62	M10
X3I-3/90	8,570	180,0	90,0	ø36	62	M10	ø36	62	M10



08/04/08 X3I7802DBBA.dft

T.1 = 60÷65 [Nm] - screw tightening torque M10

T.2 = 332 [Nm] - admissible shaft torque (N.B. When choosing a shaft, always check the admissible torque).

Table of variations

X3I-3

Female $\varnothing 50.8$ FLANGE

Female $\varnothing 50.8$ FLANGE		Shaft		Cover		
Left rotation	Right rotation			Left rotation	Right rotation	
		SCI01 - Splined T.2 = 332 [Nm] m=1.6 Z=14 DIN 5482 - 25x22 				
	01		02			D
						A

Displacement	
TYPE	CODE
X3I-3/15	66
X3I-3/18	68
X3I-3/21	70
X3I-3/27	72
X3I-3/32	74
X3I-3/38	78
X3I-3/43	79
X3I-3/47	80
X3I-3/51	81
X3I-3/54	82
X3I-3/61	83
X3I-3/64	85
X3I-3/70	86
X3I-3/74	87
X3I-3/90	89

Standard bodies				
Displacement cm3/rev	Standard threads			
	15	A - A	D - D	H - H
18	A - A	D - D	H - H	
21	A - A	D - D	H - H	
27	A - A	E - E	H - H	
32	B - B	E - E	H - H	
38	B - B	E - E	H - H	
43	B - B	E - E	H - H	
47	B - B	E - E	H - H	
51	B - B	E - E	H - H	
54	B - B	E - E	H - H	
61	C - C	F - F		
64	C - C	F - F		
70	C - C	F - F		
74	C - C	F - F		
90	C - C	F - F		

Table showing standard flange and thread combinations available in stock

Body (threads/flanges)													
	A		B		C		D		E		F		G
	H		I		L		M		N		O		P
Closed Body	Z												